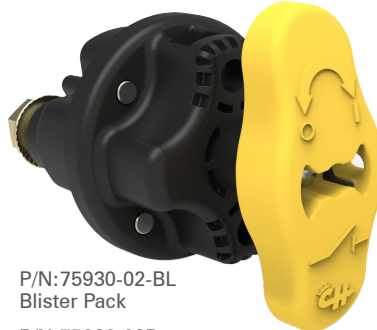


75930 SERIES - 32V, 300A, DPST Battery Master Disconnect Switch with Auxiliary Contact



P/N: 75930-01-BL
Blister Pack
P/N: 75930-01B
Bulk Pack



P/N: 75930-02-BL
Blister Pack
P/N: 75930-02B
Bulk Pack



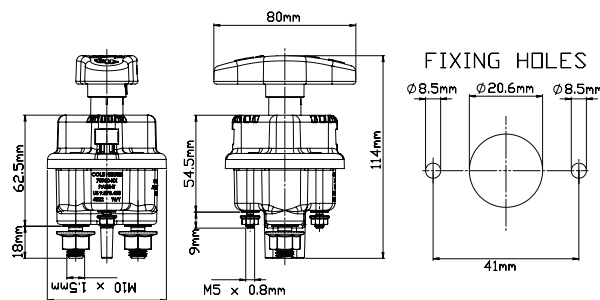
P/N: 75930-03-BL
Blister Pack
P/N: 75930-03B
Bulk Pack

With a patented weld breaker safety feature and integrated lockout/tagout, the 75930-Series Battery Master Disconnect Switch with Auxiliary Contact is designed for safely cutting off battery power to all electrical systems aboard heavyduty vehicles and equipment used in mining, agriculture, construction, and transportation. This dual-pole, single-throw (DPST) manual battery disconnect switch is constructed with a robust engineered polymer housing, offering a contemporary design that stands up to the harsh conditions typically found in commercial vehicle environments. Carrying an IP67/IPX9K rating, the switch is protected against dust, debris, and water.

- Patented weld breaker safety feature.
- Built-in lockout/tagout (LOTO).
- Dual-pole, single-throw (DPST).
- Engineered polymer design with IP67/IPX9K rating.
- Removable handle with a hole for 6.5mm lockout/tagout shackle.
- Continuous current rating of 200A with 90mm² cables and 300A with 120 mm² cables on main contact and 10A with 2.5mm² cables on auxiliary contact
- Inrush current rating of 500A per 60s at 23 °C and 1,000A per 15s at 23 °C on main contact and 20A per 180s at 23 °C on auxiliary contact

Mining
Agricultural
Construction
Transportation
Emergency Vehicle
Forestry

Part Number	Barcode	Pack	Colour
75930-01-BL	632850632690	Blister	Red
75930-01B		Bulk	Red
75930-02-BL	632850632706	Blister	Yellow
75930-02B		Bulk	Yellow
75930-03-BL	632850632713	Blister	Black
75930-03B		Bulk	Black



Mounting Hole Dimensions : $\varnothing 20.6\text{mm}$ ($\varnothing 0.81''$) + locking 2* hole $\varnothing 8.5\text{mm}$ ($\varnothing 0.33''$) at 41mm (1.61'') Mounting Hole/Stem: Pass through 1 hole, $\varnothing 18.2\text{mm}$

Specifications

Max Voltage Rating:	32V DC
Continuous Current Ratings:	
Main Contact:	200A with 90mm ² cables 300A with 120mm ² cables
Inrush Current Rating:	
Main Contact:	500A per 60s at 23°C 1,000A per 15s at 23°C
Actuator:	Removable Handle
Housing:	Engineered Polymer
Circuitry:	DPST
Contacts:	Copper
Hardware:	Stainless Steel
Ingress Protection:	IP67 / IPX9K
ISO Standard:	16750-4
Output Terminals:	2 x M10
Recommended Torque:	M10, 18 ± 2Nm
Operating Temp:	40°C to + 85°C
Terminal size:	M10 x 90mm ²

A complete range of supporting accessories available from ECCO.

For further information, visit their website www.eccosafetygroup.com.au or call on 1800 815 000.